

NE PL/TUBES/LRG/2700K/TRIAC/WHITE/GREY

Tubes Large Ceiling Light

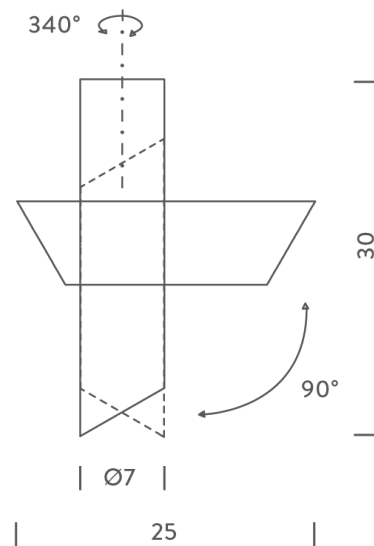
by Charles Kalpakian

Designed by Charles Kalpakian, the TUBES LARGE ceiling lamp features an innovative contemporary design. Ceiling luminaire composed of two cylindrical elements in extruded aluminum, equipped with an opal polycarbonate lens for a diffused uniform light. Ceiling element rotates 340 degrees, while the other cylinder can be rotated by 90 degrees.



Designer	Charles Kalpakian
Supplier	Nemo
Country	Italy
SKU	NE PL/TUBES/LRG/2700K/TRIAC/WHITE/GREY
Finish	White + Grey

Product Dimensions



Weight	0.8kg
Colour Temp	2700K
Emission	diffused

Materials	Aluminium
Output	2 x 640lm
IP Rating	IP20

Source	2 x 13W LED
CRI	80
Dimming	TRIAC