

VI LT/SATA/WH

Sata Table Lamp

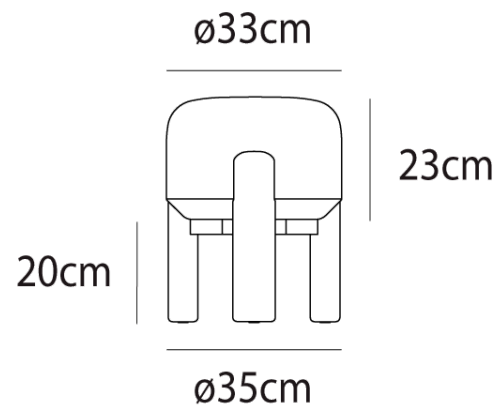
by Favaretto&Partners

Designed by Favaretto&Partners for Vistosi, the Sata Table Lamp is characterized by the combination of hand blown Murano glass accented with a wooden geometric base upon which the light source rests. The elegant design and beautiful materials make the Sata table lamp perfect for classic or modern spaces where wood tones are the central motif or complimentary accent. Available in white glass with black wood frame or amber glass with natural wood frame. Sata's design is critically acclaimed, having been awarded a GERMAN DESIGN AWARD for 2019 as well as a GOOD DESIGN AWARD in 2017, a global awards program for design excellence run by the Chicago Athenaeum Museum of Architecture and Design.



Designer	Favaretto&Partners
Supplier	Vistosi
Country	Italy
SKU	VI LT/SATA/WH
Finish	White + Black

Product Dimensions



Weight	6kg
IP Rating	IP20

Materials	Blown Glass, Wood
Dimming	Dependent on globe

Source	1 x E27 70W (Max)
---------------	-------------------