

VI PL/IMPLODE/50

Implode Ceiling Light

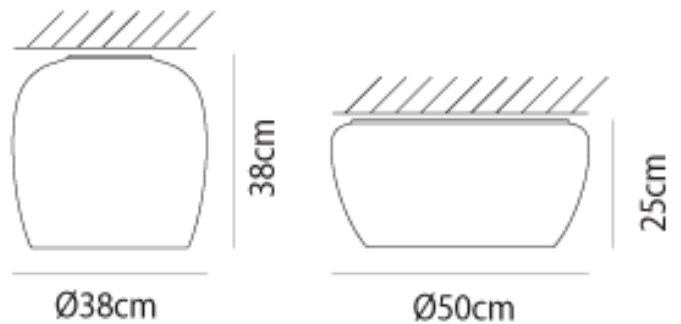
by Gregorio Spini

A collection which represents the illusion of a surface created by the implosion of a volume. Implode is made up of a gradation of multiple layers of white and transparent hand blown Italian Murano glass. Ceiling light available in two sizes. Design by Gregorio Spini for Vistosi.



Designer	Gregorio Spini
Supplier	Vistosi
Country	Italy
SKU	VI PL/IMPLODE/50
Size	50cm

Product Dimensions



Weight	12kg
IP Rating	IP20

Materials	Blown Glass
Dimming	Dependent on globe

Source	3 x E27 100W (Max)
---------------	--------------------