

LT TK/DEKO/WH

Deko Shoplighter 1 Circuit Track Light

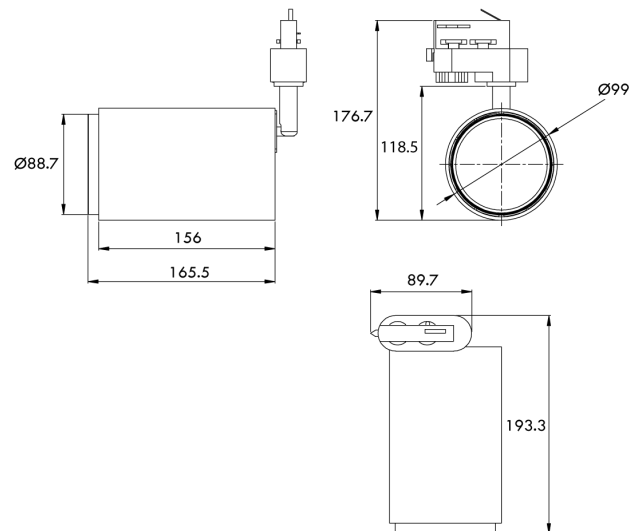
by

Deko is a high output track spotlight compatible with a single circuit track. Affordable and accessible, this high output fitting is ideal for a retail applications. Available in black or white.



| | |
|-----------------|---------------|
| Supplier | Studio Italia |
| Country | China |
| SKU | LT TK/DEKO/WH |
| Finish | White |

Product Dimensions



| | |
|------------------|--------|
| Weight | 1.2kg |
| Output | 2900lm |
| IP Rating | IP42 |

| | |
|----------------|--------------|
| Source | 30W LED |
| CRI | 90 |
| Dimming | Non-Dimmable |

| | |
|--------------------|----------------|
| Colour Temp | 3000K |
| Emission | 38 degree beam |