

SI A/TILO/6W/ANT

## Tilo Outdoor Wall Light

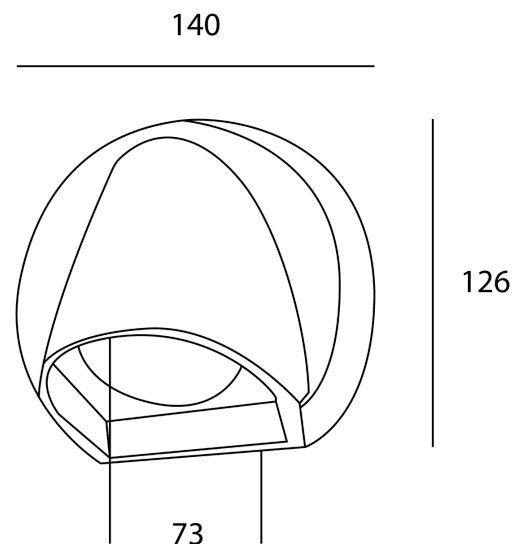
by

Tilo outdoor wall light in anti-corrosive anthracite finish. 6w LED, 3000k, 330lm, CRI 80, dimmable. Tilo has an ingress protection of IP65 and an impact protection of IK07 for outdoor applications. The fixture's minimalist design allows for installations within most styles.



<b>Supplier</b>	Studio Italia
<b>Country</b>	China
<b>SKU</b>	SI A/TILO/6W/ANT
<b>Finish</b>	Anthracite

Product Dimensions



<b>Materials</b>	Aluminium	<b>Source</b>	6W LED	<b>Colour Temp</b>	3000K
<b>Output</b>	330lm	<b>CRI</b>	80	<b>IP Rating</b>	IP65 / IK07
<b>Dimming</b>	PHASE				