

SI TK/SQUAD/2/BK

Squad Double Track Spot

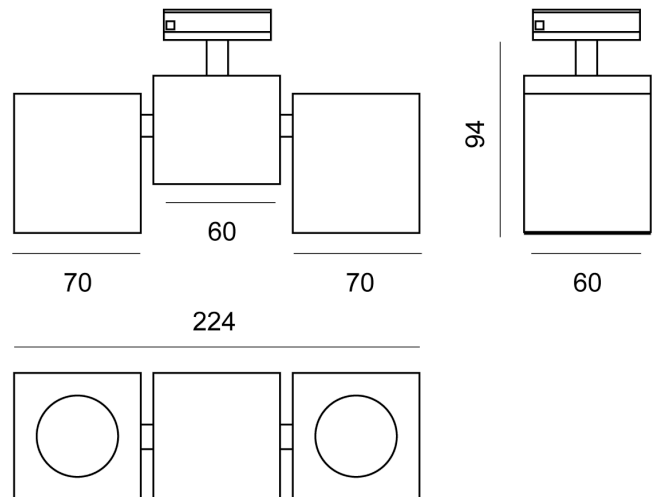
by

Squad Double is an adjustable track spot. Symmetrical design for universal applications. Made from extruded aluminium and equipped with 2 x GU10 35W (Max) LED or halogen globes for direct illumination. Compatible with single circuit track.



Supplier	Studio Italia
Country	China
SKU	SI TK/SQUAD/2/BK
Finish	Black

Product Dimensions



Materials	Aluminium	Source	2 x GU10 35W (Max)	Dimming	Dependent on globe
------------------	-----------	---------------	--------------------	----------------	--------------------