

VI LT/RIFLESSO/3/AMETHYST/COPPER

Riflesso Table Lamp

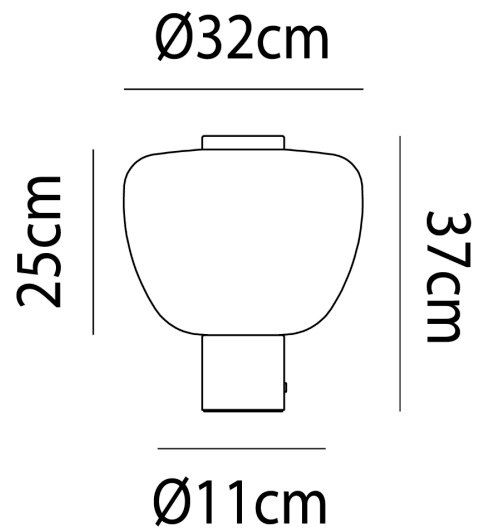
by Chiaramonte & Marin

Born from the long partnership between Vistosi and Chiaramonte and Marin designers, Riflesso evokes soap bubbles and childhood memories. Made of mouth-blown glass, the LED source refracts and continuously rebounds within the shade, emitting glare free light in a space. Available in crystal or light amethyst glass with brass or copper base. Winner of a 2019 Archiproducts Design Award.



Designer	Chiaramonte & Marin
Supplier	Vistosi
Country	Italy
SKU	VI LT/RIFLESSO/3/AMETHYST/COPPER
Glass Finish	Amethyst
Metal Finish	Copper

Product Dimensions



Weight	5kg	Materials	Blown Glass	Source	10.5W LED
Colour Temp	3000K	Output	1530lm	IP Rating	IP20