

AX FA/EGO/DIMM/BRASS

## Ego Spotlight

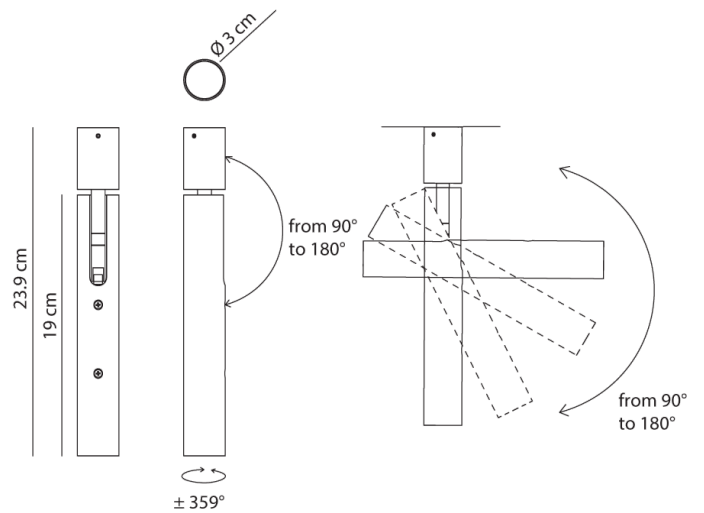
by

Realized entirely from natural brass, Ego is a synthesis of elegance and personality. The perfection of the lenses used generates a highly impressive and unexpected beam of light. It's minimalist design is highly adjustable, allowing the light to be angled for direct or ambient illumination. Ego spotlight can be installed on ceiling or wall surfaces and is available in natural brass finish. Made in Italy.



<b>Supplier</b>	Axo Light
<b>Country</b>	Italy
<b>SKU</b>	AX FA/EGO/DIMM/BRASS
<b>Version</b>	Dimmable

Product Dimensions



<b>Weight</b>	0.5kg	<b>Materials</b>	Brass	<b>Source</b>	1 x 8.8W LED
<b>Colour Temp</b>	3000K	<b>Output</b>	1220lm	<b>CRI</b>	80
<b>IP Rating</b>	IP20	<b>Dimming</b>	PHASE		