

NE S/KEPLER/UP/2700K/WHITE

Kepler Pendant

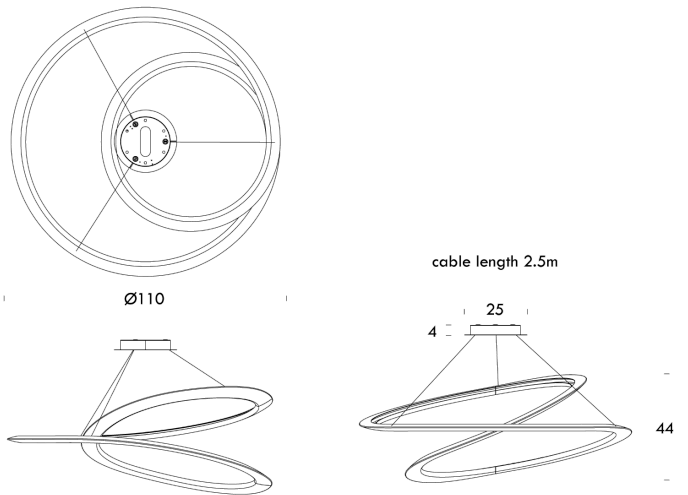
by Arihiro Miyake

Designed by Arihiro Miyake for NEMO, the Kepler LED pendant light is defined by harmonious lines and smooth geometric curves. The endless line is created by a 3-dimensional deformation process inspired by the Moebius strip, producing a widespread ambient light. Available in matt black, white, or painted gold finish as uplight or downlight in 2700K or 3000K.



Designer	Arihiro Miyake
Supplier	Nemo
Country	Italy
SKU	NE S/KEPLER/UP/2700K/WHITE
Finish	White
Version	Uplight - 2700K

Product Dimensions



Weight	9kg
Colour Temp	2700K
Emission	diffused uplight

Materials	Aluminium
Output	4500lm
IP Rating	IP20

Source	86W LED
CRI	85
Dimming	1-10v