

Kepler Minor Pendant

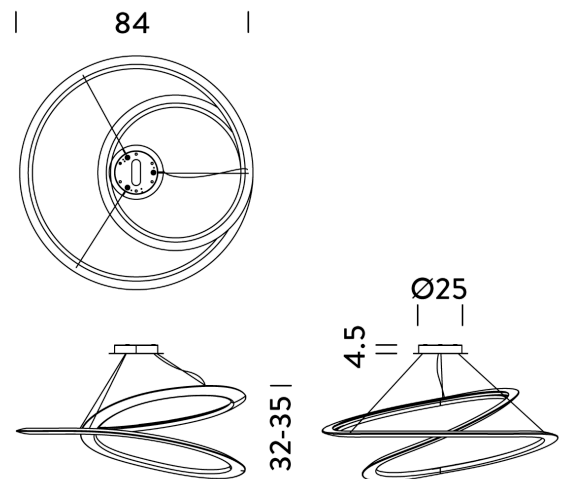
by Arihiro Miyake

A smaller version of the Kepler pendant from NEMO. Suspension lamp in powder coated extruded aluminum. The endless line is created by a 3-dimensional deformation process inspired by the Moebius strip. Available in uplight and downlight versions in matt white, black or painted gold finish.



Designer	Arihiro Miyake
Supplier	Nemo
Country	Italy
SKU	NE S/KEPLER/MINOR/DOWN/2700K/BK
Finish	Black
Version	Downlight - 2700K

Product Dimensions



Weight	6kg	Materials	Aluminium	Source	77W LED
Colour Temp	2700K	Output	4000lm	CRI	85
Emission	diffused downlight	IP Rating	IP20	Dimming	1-10v