

NE S/NUVOLA/LED

Nuvola Pendant

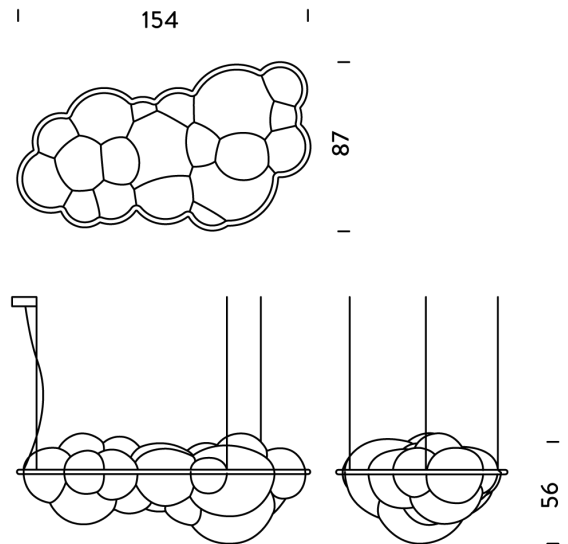
by Mario Bellini

Nuvola pendant by Mario Bellini. Inspired by the shape of a cloud and made of natural opal polyethylene and created via a rotational printing process. Nuvola provides diffused lighting for a widespread and comfortable output. The pendant is fastened to the ceiling with three suspension cables, the canopy freely adjustable on the ceiling. Nuvola is composed by one of the two blocs (deep or flat, to choose).



Designer	Mario Bellini
Supplier	Nemo
Country	Italy
SKU	NE S/NUVOLA/LED
Finish	White

Product Dimensions



Weight	11kg
Colour Temp	2700K
Emission	diffused

Materials	Plastic
Output	12000lm
IP Rating	IP20

Source	132W LED
CRI	85
Dimming	1-10v