

NE S/NUVOLA/MINOR/LED

Nuvola Minor Pendant

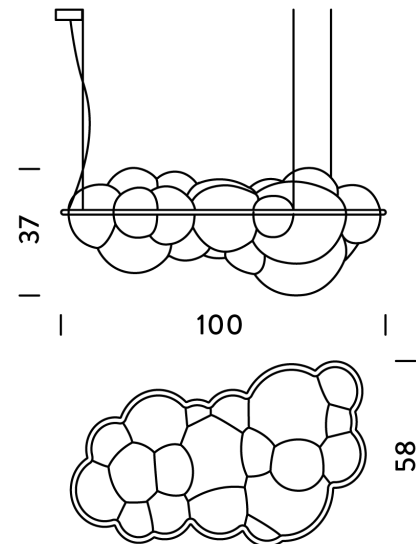
by Mario Bellini

A smaller version of the standard Nuvola pendant by Mario Bellini. Made from natural opal polyethylene. Nuvola minor emits a widespread diffused light while adding character to a space. Dimmable.



Designer	Mario Bellini
Supplier	Nemo
Country	Italy
SKU	NE S/NUVOLA/MINOR/LED
Finish	White

Product Dimensions



Weight	9kg
Colour Temp	2700K
Emission	diffused

Materials	Plastic
Output	8000lm
IP Rating	IP20

Source	90W LED
CRI	85
Dimming	1-10v