

Projecteur 165 Pendant

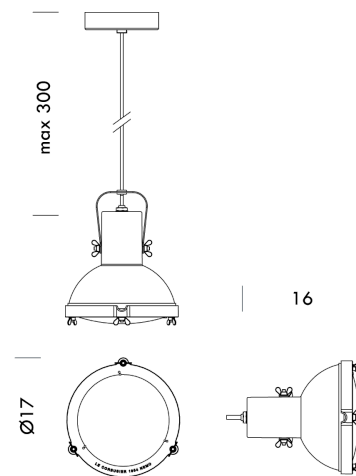
by Le Corbusier

A mini adjustable version of the Projecteur 365, with aluminium body painted in night blue or white sand. Diffuser glass curved and sandblasted in the inner part. Canopy painted in matt black, screws and small metal parts black chromed. Diffused and adjust-able light output.



Designer	Le Corbusier
Supplier	Nemo
Country	Italy
SKU	NE S/PROJECTEUR/165/WS
Finish	White Sand

Product Dimensions



Weight	0.8kg
Emission	direct, spot

Materials	Aluminium
IP Rating	IP20

Source	1 x E27 23W
Dimming	Dependent on globe