

NE S/SPIGOLO/VERTICAL/3000K/BLACK

Spigolo Vertical Pendant

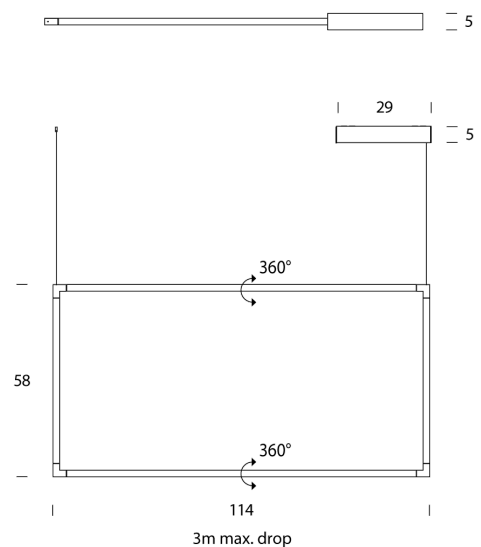
by Studiocharlie

The SPIGOLO design is based on an extruded and tubular aluminium structure, connected with moulded ABS joints. Thanks to the joints, enabling the profiles to house LED sources, one can rotate 360 degrees in order to produce a directional direct or indirect lighting, screened by an opaline diffuser in polycarbonate. The vertical pendant version creates ambience in a versatile and a comfortable way. LED sources are dimmable and with warm tone.



Designer	Studiocharlie
Supplier	Nemo
Country	Italy
SKU	NE S/SPIGOLO/VERTICAL/3000K/BLACK
Finish	Black
Version	3000K

Product Dimensions



Weight	2.8kg
Colour Temp	3000K
Emission	double, diffused, orientable 360 degrees

Materials	Aluminium
Output	2 x 1125lm
IP Rating	IP20

Source	2 x 19W LED
CRI	85
Dimming	1-10v