

NE S/SPIGOLO/HORIZONTAL/2700K/WHITE

Spigolo Horizontal Pendant

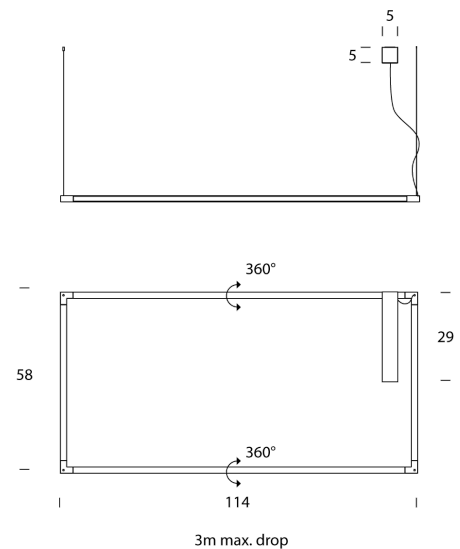
by Studiocharlie

The SPIGOLO design is based on an extruded and tubular aluminium structure, connected with moulded ABS joints. Thanks to the joints, enabling the profiles to house LED sources, one can rotate 360 degrees in order to produce a directional direct or indirect lighting, screened by an opaline diffuser in polycarbonate. The horizontal pendant version creates ambience in a versatile and a comfortable way. LED sources are dimmable and with warm tone.



Designer	Studiocharlie
Supplier	Nemo
Country	Italy
SKU	NE S/SPIGOLO/HORIZONTAL/2700K/WHITE
Finish	White
Version	2700K

Product Dimensions



Weight	2.8kg	Materials	Aluminium	Source	2 x 19W LED
Colour Temp	2700K	Output	2 x 1125lm	CRI	85
Emission	double, diffused, orientable 360 degrees	IP Rating	IP20	Dimming	1-10v