

Tubes Large Wall Light

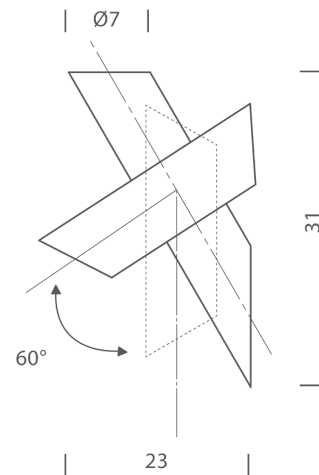
by Charles Kalpakian

Designed by Charles Kalpakian, the TUBES LARGE wall lamp features an innovative contemporary design. Wall luminaire composed of two cylindrical elements in extruded aluminum, equipped with an opal polycarbonate lens for a diffused uniform light. The wall mounted element is fixed while floating element is adjust-able by 60 degrees.



Designer	Charles Kalpakian
Supplier	Nemo
Country	Italy
SKU	NE A/TUBES/LRG/WH/GD
Finish	White + Gold

Product Dimensions



Weight	1kg
Colour Temp	2700K
Emission	diffused

Materials	Aluminium
Output	2 x 640lm
IP Rating	IP20

Source	2 x 13W LED
CRI	80
Dimming	TRIAC