

NE PL/TUBES/LRG/2700K/TRIAC/WHITE/GOLD

## Tubes Large Ceiling Light

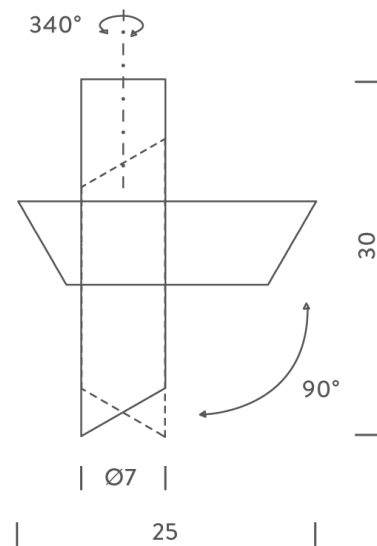
by Charles Kalpakian

Designed by Charles Kalpakian, the TUBES LARGE ceiling lamp features an innovative contemporary design. Ceiling luminaire composed of two cylindrical elements in extruded aluminum, equipped with an opal polycarbonate lens for a diffused uniform light. Ceiling element rotates 340 degrees, while the other cylinder can be rotated by 90 degrees.



<b>Designer</b>	Charles Kalpakian
<b>Supplier</b>	Nemo
<b>Country</b>	Italy
<b>SKU</b>	NE PL/TUBES/LRG/2700K/TRIAC/WHITE/GOLD
<b>Finish</b>	White + Gold

Product Dimensions



<b>Weight</b>	0.8kg
<b>Colour Temp</b>	2700K
<b>Emission</b>	diffused

<b>Materials</b>	Aluminium
<b>Output</b>	2 x 640lm
<b>IP Rating</b>	IP20

<b>Source</b>	2 x 13W LED
<b>CRI</b>	80
<b>Dimming</b>	TRIAC