

VI LT/RIFLESSO/3/AMETHYST/COPPER

## Riflesso Table Lamp

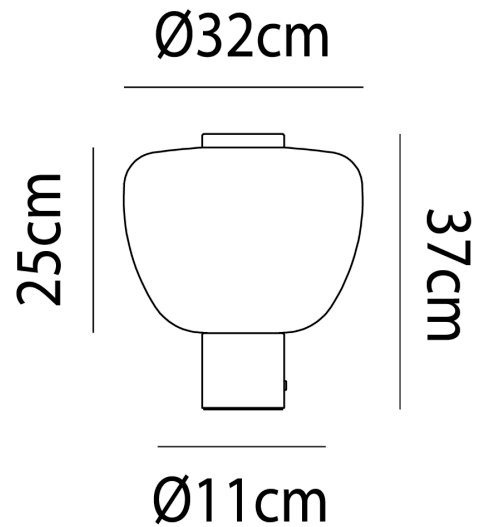
by Chiaramonte &amp; Marin

Born from the long partnership between Vistosi and Chiaramonte and Marin designers, Riflesso evokes soap bubbles and childhood memories. Made of mouth-blown glass, the LED source refracts and continuously rebounds within the shade, emitting glare free light in a space. Available in crystal or light amethyst glass with brass or copper base. Winner of a 2019 Archiproducts Design Award.



<b>Designer</b>	Chiaramonte & Marin
<b>Supplier</b>	Vistosi
<b>Country</b>	Italy
<b>SKU</b>	VI LT/RIFLESSO/3/AMETHYST/COPPER
<b>Glass Finish</b>	Amethyst
<b>Metal Finish</b>	Copper

### Product Dimensions



<b>Weight</b>	5kg	<b>Materials</b>	Blown Glass	<b>Source</b>	10.5W LED
<b>Colour Temp</b>	3000K	<b>Output</b>	1530lm	<b>IP Rating</b>	IP20