

NE S/ELLISSE/DBL/3000K/WH

## Ellisse Pendant Double

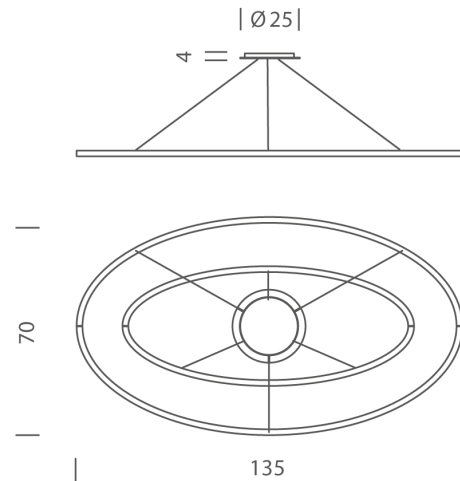
by Federico Palazzari

The Ellisse Pendant Double from NEMO is an LED pendant lamp for widespread direct and indirect lighting. Two pendants with opaline diffusers and aluminium bodies hang from a central base to create an overlay effect. Ellisse is manufactured through a proprietary technology to combine the extruded bars. Available in a variety of finishes in 2700K or 3000K.



<b>Designer</b>	Federico Palazzari
<b>Supplier</b>	Nemo
<b>Country</b>	Italy
<b>SKU</b>	NE S/ELLISSE/DBL/3000K/WH
<b>Finish</b>	White
<b>Version</b>	3000K

Product Dimensions



<b>Materials</b>	Aluminium	<b>Source</b>	90W LED	<b>Colour Temp</b>	3000K
<b>Output</b>	2825+1850lm	<b>CRI</b>	85	<b>Emission</b>	diffused orientable uplight(minor), diffused orientable downlight (major)
<b>IP Rating</b>	IP20	<b>Dimming</b>	1-10v		