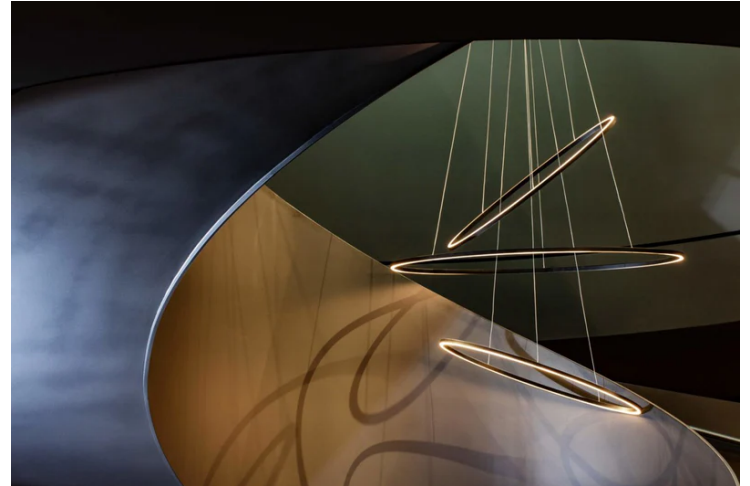


NE S/ELLISSE/TRIPLE/3000K/GOLD

## Ellisse Pendant Triple

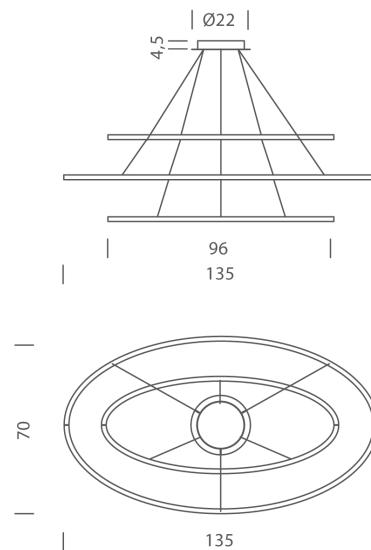
by Federico Palazzari

Ellisse Triple from NEMO is an LED pendant lamp for widespread direct and indirect lighting. Three pendants with opaline diffusers and aluminium bodies hang from a central base creating a convergence of linear plains for feature lighting applications. Available in a variety of finishes in 2700K or 3000K.



<b>Designer</b>	Federico Palazzari
<b>Supplier</b>	Nemo
<b>Country</b>	Italy
<b>SKU</b>	NE S/ELLISSE/TRIPLE/3000K/GOLD
<b>Finish</b>	Gold
<b>Version</b>	3000K

### Product Dimensions



<b>Weight</b>	5kg	<b>Materials</b>	Aluminium	<b>Source</b>	90W LED
<b>Colour Temp</b>	3000K	<b>Output</b>	1325+2050+1325lm	<b>CRI</b>	85
<b>Emission</b>	diffused orientable uplight(minor), diffused orientable downlight (major/minor)	<b>IP Rating</b>	IP20	<b>Dimming</b>	1-10v