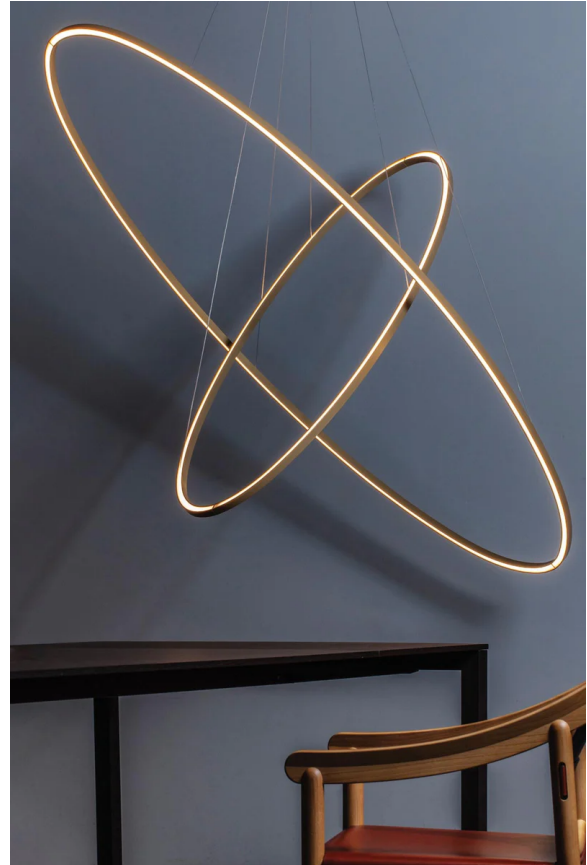


NE S/ELLISSE/MEGA/DBL/2700K/BK

# Ellisse Pendant Double Mega

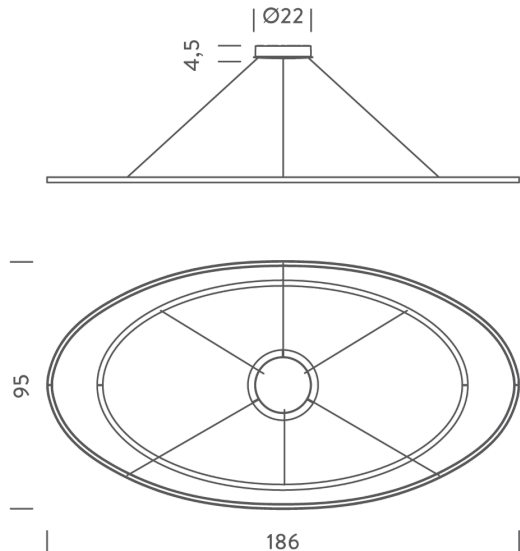
by Federico Palazzari

The Ellisse Pendant Double Mega from NEMO is an LED pendant lamp for widespread direct or indirect lighting. Opaline diffuser and aluminium body. Ellisse is manufactured through a proprietary technology to combine the extruded bars. Available in matt white, matt black or painted gold in 2700K or 3000K. Dimmable.



<b>Designer</b>	Federico Palazzari
<b>Supplier</b>	Nemo
<b>Country</b>	Italy
<b>SKU</b>	NE S/ELLISSE/MEGA/DBL/2700K/BK
<b>Finish</b>	Black
<b>Version</b>	2700K

Product Dimensions



<b>Weight</b>	5.5kg
<b>Colour Temp</b>	2700K
<b>Emission</b>	diffused orientable uplight (major), diffused orientable downlight (mega)

<b>Materials</b>	Aluminium
<b>Output</b>	2825+1850lm
<b>IP Rating</b>	IP20

<b>Source</b>	90W LED
<b>CRI</b>	85
<b>Dimming</b>	1-10v