

# Lampe De Marseille

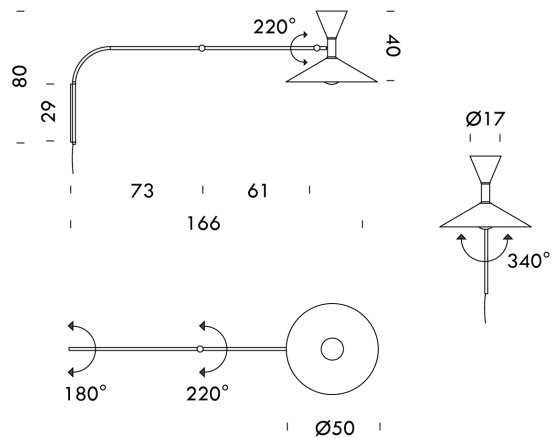
by Le Corbusier

Designed by Le Corbusier for the Unite d'Habitation of Marseille in 1949/1952, the Lampe De Marseille is an adjustable wall lamp with two joints on the arm and a rotating wall fixing. Spun aluminium diffuser and available in Grey (RAL 7046), White Wash (RAL 9002), or Black Grey (RAL 7021) body with white internal diffusers. Direct and indirect lighting output. Double switch on the cable for a functional and adjustable wall light. Takes 2 x E27 LED globes.



<b>Designer</b>	Le Corbusier
<b>Supplier</b>	Nemo
<b>Country</b>	Italy
<b>SKU</b>	NE A/LAMPE/WH
<b>Finish</b>	White

### Product Dimensions



<b>Weight</b>	5kg	<b>Materials</b>	Aluminium	<b>Source</b>	2 x E27 (72W Max Down. 54W Max Up)
<b>Emission</b>	double, direct + indirect	<b>IP Rating</b>	IP20	<b>Dimming</b>	No