

Fiji Pendant

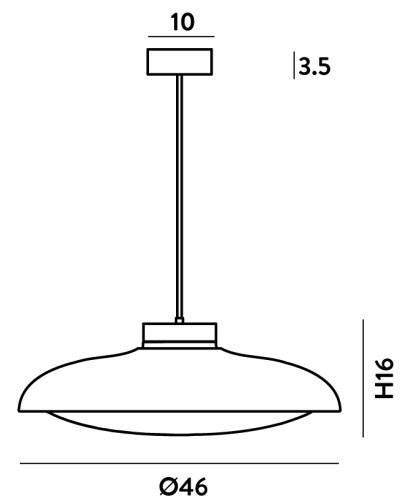
by Mandalaki

The concept behind the Fiji Pendant was to give light a form. A smooth elliptical glass shade cradles a frosted glass sphere, evoking a sense of depth while gently emitting light outward. The high power LED, optical system, wiring and fastenings are all housed within the CNC aluminium heatsink - an innovation by Mandalaki Studio which maximises aesthetic by compressing all mechanical and electrical functions within a single sophisticated component. Available in three sizes with matt black, transparent, rose gold, steel, honey glass with chrome or black metalware. Made in Italy by masters of glass Cangini & Tucci.



| | |
|---------------------|----------------------------|
| Designer | Mandalaki |
| Supplier | Cangini & Tucci |
| Country | Italy |
| SKU | CT S/FIJI/XXL/CHR/ROSEGOLD |
| Glass Finish | Rose Gold |
| Metal Finish | Chrome |
| Size | XXL |

Product Dimensions



| | | | | | |
|----------------|--------|------------------|-------------|------------------|-----------|
| Weight | 3.82kg | Materials | Blown Glass | Source | 12.8W LED |
| Output | 1615lm | CRI | 95 | IP Rating | IP20 |
| Dimming | PHASE | | | | |