

IC LT/CRISTALGLOB/WHITE/PINK

Cristalglob Table lamp

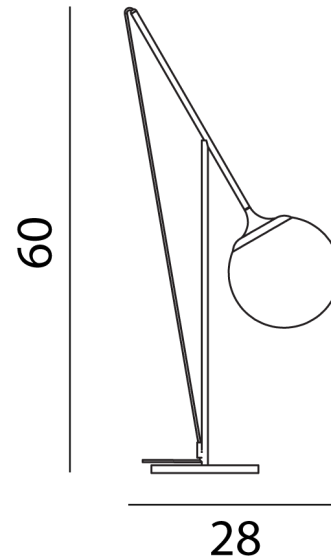
by Marco Pagnoncelli

Cristalglob is defined by its distinct mouth-blown glass diffuser which casts delicate patterns within a space. The table lamp version features an LED source and unique design making it ideal for living room and bedroom applications. Available with crystal or pink glass with white or brass frame.



Designer	Marco Pagnoncelli
Supplier	Icone
Country	Italy
SKU	IC LT/CRISTALGLOB/WHITE/PINK
Finish	Pink / White

Product Dimensions



Materials	Blown Glass
Output	1430lm

Source	9W LED
CRI	90

Colour Temp	3000K
--------------------	-------