

IC LT/CRISTALGLOB/BRASS/CRYSTAL

## Cristalglob Table lamp

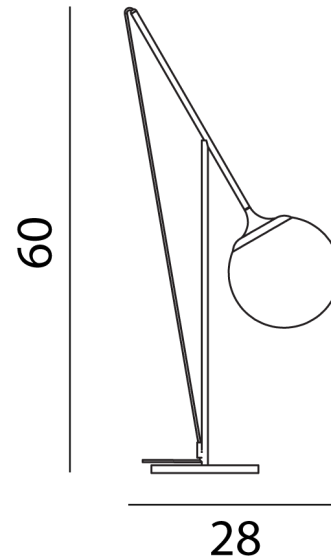
by Marco Pagnoncelli

Cristalglob is defined by its distinct mouth-blown glass diffuser which casts delicate patterns within a space. The table lamp version features an LED source and unique design making it ideal for living room and bedroom applications. Available with crystal or pink glass with white or brass frame.



<b>Designer</b>	Marco Pagnoncelli
<b>Supplier</b>	Icone
<b>Country</b>	Italy
<b>SKU</b>	IC LT/CRISTALGLOB/BRASS/CRYSTAL
<b>Finish</b>	Crystal / Brass

### Product Dimensions



<b>Materials</b>	Blown Glass
<b>Output</b>	1430lm

<b>Source</b>	9W LED
<b>CRI</b>	90

<b>Colour Temp</b>	3000K
--------------------	-------