

NE A/APPLIQUE/GRY

Applique De Marseille

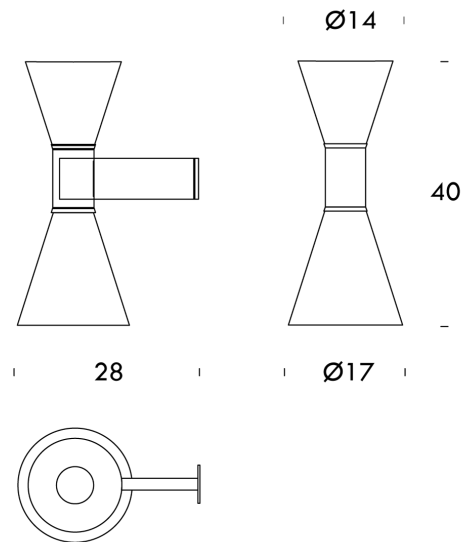
by Le Corbusier

Le Corbusier designed the Applique de Marseille for his Paris apartment at Rue Nungesser et Coli. Aluminium wall lamp with double emission painted in Grey (RAL 7046), White Wash (RAL 9002), or Black Grey (RAL 7021) with white internal diffusers. Takes 2 x E27 globes.



Designer	Le Corbusier
Supplier	Nemo
Country	Italy
SKU	NE A/APPLIQUE/GRY
Finish	Grey

Product Dimensions



Weight	2kg	Materials	Aluminium	Source	2 x E27 (54W Max Up & Down)
Emission	double, direct + indirect	IP Rating	IP20	Dimming	Dependent on globe