

Ego Spotlight

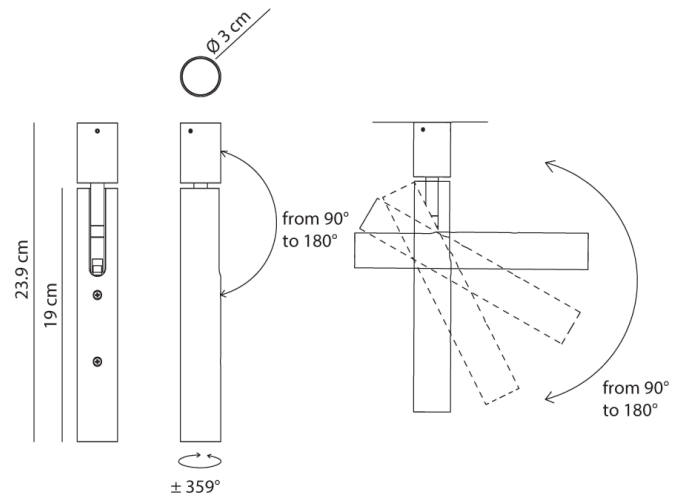
by Axo Light

Realized entirely from natural brass, Ego is a synthesis of elegance and personality. The perfection of the lenses used generates a highly impressive and unexpected beam of light. It's minimalist design is highly adjustable, allowing the light to be angled for direct or ambient illumination. Ego spotlight can be installed on ceiling or wall surfaces and is available in natural brass finish. Made in Italy.



Supplier	Axo Light
Country	Italy
SKU	AX FA/EGO/DIMM/BRASS
Version	Dimmable

Product Dimensions



Weight	0.5kg
Colour Temp	3000K
IP Rating	IP20

Materials	Brass
Output	1220lm
Dimming	PHASE

Source	1 x 8.8W LED
CRI	80