

RO S/SQUIGGLE/H9/3000K/DALI/GOLD

## Squiggle Linear Pendant

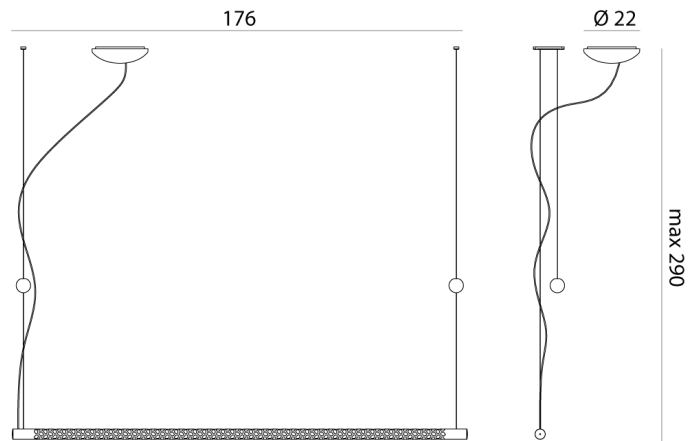
by Paolo Rizzatto

Inspired by the "Neon structure" by Lucio Fontana for the 9th Triennale of Milan, Squiggle is a suspended tubular exoskeleton containing an LED strip up to 6m long. A sequence of irregular hexagon-shaped holes allow light to escape the metal structure, projecting a complex array of geometric patterns, including broken curved lines and concentric rings. Squiggle comes in a wide range of designs and sizes to suit a myriad of installation possibilities, with all versions available in matt gold, black or white finish. Made in Italy.



<b>Designer</b>	Paolo Rizzatto
<b>Supplier</b>	Rotaliana
<b>Country</b>	Italy
<b>SKU</b>	RO S/SQUIGGLE/H9/3000K/DALI/GOLD
<b>Finish</b>	Gold
<b>Version</b>	3000K - Dali Dimming
<b>Size</b>	H9

Product Dimensions



<b>Weight</b>	6.05kg
<b>Colour Temp</b>	3000K
<b>IP Rating</b>	IP20

<b>Materials</b>	Metal
<b>Output</b>	2700lm
<b>Dimming</b>	DALI

<b>Source</b>	39W LED
<b>CRI</b>	90