

VI S/PLOT/CRYSTAL/BRASS

Plot Pendant

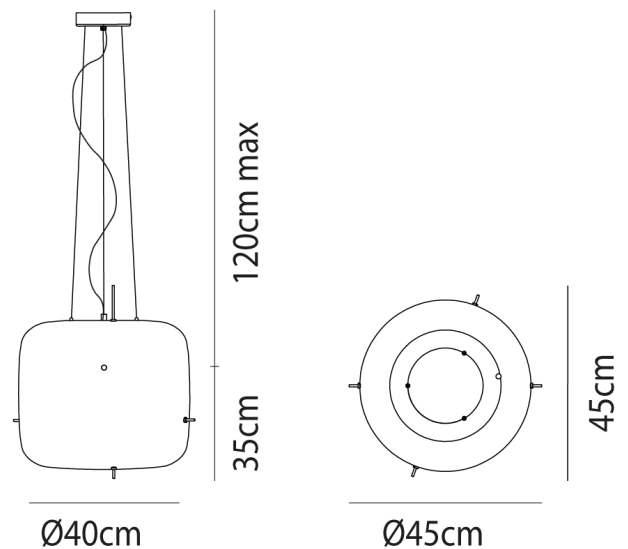
by Chiaramonte & Marin

Inspired by the weaving of oriental bamboo scaffolding, Plot creates a feeling of weightlessness. Encased within a transparent blown glass diffuser, an internal LED light source is supported by interweaving of metal rods, evoking a look of suspended animation. Plot is available with a crystal or smoke external diffuser with brass or black internal support rods. Hand made in Italy by Vistosi.



Designer	Chiaramonte & Marin
Supplier	Vistosi
Country	Italy
SKU	VI S/PLOT/CRYSTAL/BRASS
Glass Finish	Crystal
Metal Finish	Brass

Product Dimensions



Weight	9kg	Materials	Blown glass diffusers, metal frame	Source	12.5W LED
Colour Temp	3000K	Output	1750lm	IP Rating	IP20
Dimming	1-10v				