

VI S/PLOTFRAME/4/WHITE/BLACK

## Plot Frame Pendant

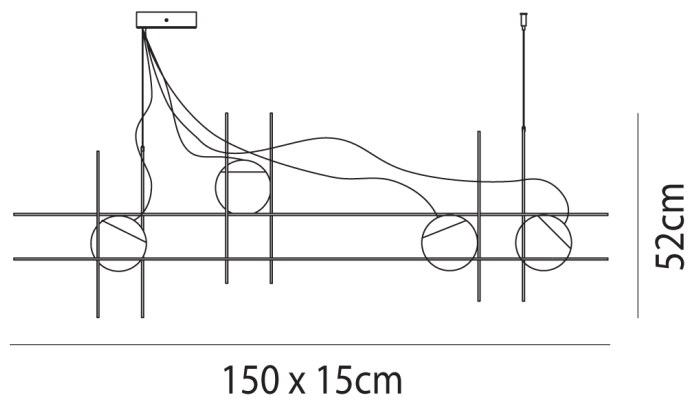
by Chiaramonte & Marin

The designing principal of Plot Frame Pendant was to render a sphere of light in suspended motion. Almost hovering luminescent spheres are supported on a metallic weft, creating an exquisite and unique form. The metal cap of the lamp body acts as a heat sink for the in-built LED source and is fixed to the glass by means of a pressure system achieved by the perfect adhesion between the edge of the glass and the cap itself. Available in 3 or 4 light size with matt black metal finish and white blown glass diffusers. Hand made in Italy by Vistosi.



<b>Designer</b>	Chiaramonte & Marin
<b>Supplier</b>	Vistosi
<b>Country</b>	Italy
<b>SKU</b>	VI S/PLOTFRAME/4/WHITE/BLACK
<b>Size</b>	4 Light

Product Dimensions



<b>Weight</b>	15kg	<b>Materials</b>	Blown glass diffusers, metal frame	<b>Source</b>	4 x 8.5W LED
<b>Colour Temp</b>	3000K	<b>Output</b>	4800lm	<b>IP Rating</b>	IP20
<b>Dimming</b>	1-10v				