

DT CLOUD/LARGE/WHITE/WHITE

Cloud Pendant

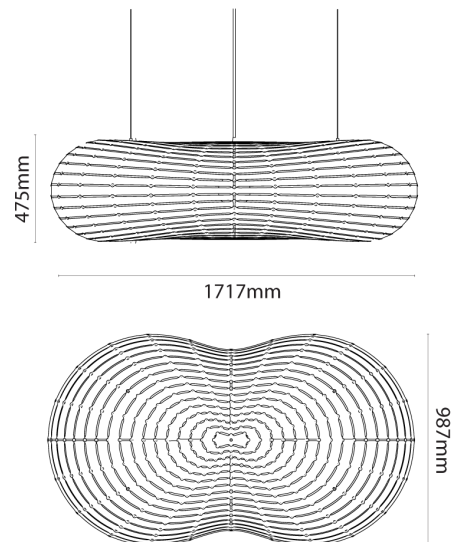
by David Trubridge

Cloud by David Trubridge was first launched in 2008 as part of the Spiral Islands installation of matching lights and settees. It was inspired by the clouds that David saw sitting over small islands across the Pacific Ocean, which were used by Polynesian navigators to find islands from afar. The original Cloud lights were made with frosted plastic but were later discontinued due to the negative environmental impact of the material. Cloud has been reimagined in this new version which is made almost entirely of bamboo plywood. This allows light to shine through while offering a similar visual lightness as the former translucent plastic version.



Designer	David Trubridge
Supplier	David Trubridge
Country	New Zealand
SKU	DT CLOUD/LARGE/WHITE/WHITE
Size	Large
Finish	White 2 Sides

Product Dimensions



Weight	18kg	Materials	Bamboo plywood	Source	1 x E27 77W (Max)
Dimming	Dependent on globe	Notes	Flat packed for reduced environmental footprint		