

VI LT/MUNEGA/P

## Munega Lamp

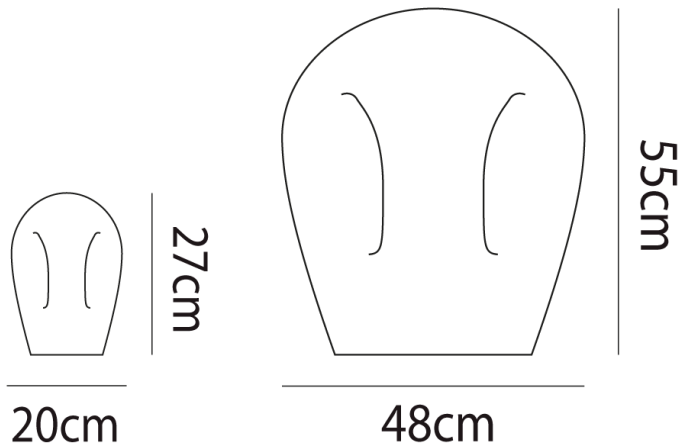
by Luciano Vistosi

The Munega collection of lamps are a sculptural mouth-blown Murano glass light designed by Luciano Vistosi in 1978. Visually stunning, Munega is created with a technique called "freehand" where the glass is continually worked by two craftsmen in order to perfect each piece.



<b>Designer</b>	Luciano Vistosi
<b>Supplier</b>	Vistosi
<b>Country</b>	Italy
<b>SKU</b>	VI LT/MUNEGA/P
<b>Size</b>	Small

Product Dimensions



<b>Weight</b>	3kg
<b>IP Rating</b>	IP20

<b>Materials</b>	Blown Glass
------------------	-------------

<b>Source</b>	1 x E14 60W (Max)
---------------	-------------------