

NE S/KEPLER/PETIT/DOWN/3000K/WH

Kepler Petit Pendant

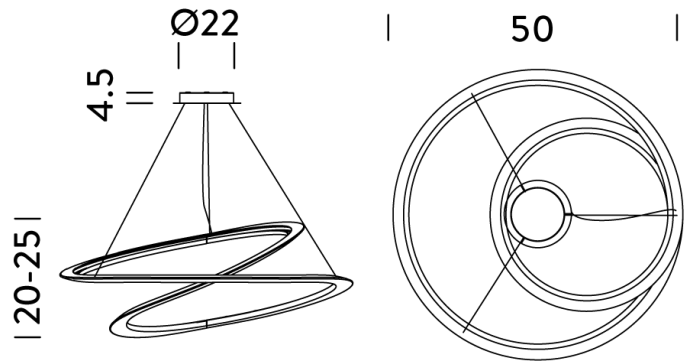
by Arihiro Miyake

A petit version of the Kepler pendant from NEMO. An LED suspension lamp in powder coated extruded aluminum. The endless line is created by a 3-dimensional deformation process inspired by the Moebius strip. Available in matt white, black or painted gold finish. Kepler Petit is only available in a downlight version.



| | |
|-----------------|---------------------------------|
| Designer | Arihiro Miyake |
| Supplier | Nemo |
| Country | Italy |
| SKU | NE S/KEPLER/PETIT/DOWN/3000K/WH |
| Finish | White |
| Version | Downlight - 3000K |

Product Dimensions



| | | | | | |
|--------------------|--------------------|------------------|-----------|---------------|---------|
| Weight | 1.3kg | Materials | Aluminium | Source | 50W LED |
| Colour Temp | 3000K | Output | 2100lm | CRI | 85 |
| Emission | Diffused downlight | Dimming | 1-10v | | |