

AX S/KWIC/48/BLACK

## Kwic Pendant

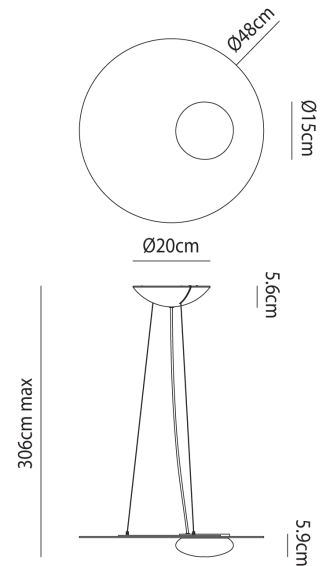
by Serge & Robert Cornelissen

Kwic, designed by Serge and Robert Cornelissen, is a pendant light with a minimalist contemporary design. A semi-spherical blown glass diffuser contains an integrated LED light source and overlaps - in a decentralized position - with a circular painted aluminium disk. Kwic imbues a space with a powerful light which radiates from the opaline white diffuser, and a delicate glow that filters through the back of the frame. Depending on the location, Kwic can be a discreet presence or a point of focus in a room. Available in a variety of sizes and finishes.



<b>Designer</b>	Serge & Robert Cornelissen
<b>Supplier</b>	Axo Light
<b>Country</b>	Italy
<b>SKU</b>	AX S/KWIC/48/BLACK
<b>Finish</b>	Black
<b>Size</b>	48

### Product Dimensions



<b>Weight</b>	4kg
<b>Colour Temp</b>	3000K
<b>IP Rating</b>	IP20

<b>Materials</b>	Aluminium
<b>Output</b>	2151lm
<b>Dimming</b>	1-10v

<b>Source</b>	18W LED
<b>CRI</b>	90