

IC S/LUA/2C/RUST/GS

Lua Pendant

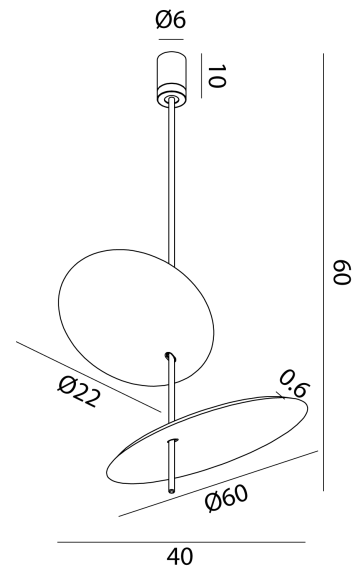
by Marco Pagnoncelli

The Lua pendant features an adjustable light source that is only 6mm thick. An aluminium disc with a smooth profile produces indirect lighting which enhances the Lua's design. Equipped with a high efficiency LED with no driver required. Lua is available in a variety of finish options. Made in Italy.



Designer	Marco Pagnoncelli
Supplier	Icone
Country	Italy
SKU	IC S/LUA/2C/RUST/GS
Finish	Rust + Gold Silver

Product Dimensions



Materials	Aluminium	Source	50W LED	Colour Temp	2700K
Output	4250lm	CRI	90	Emission	Indirect