

AX S/ULIGHT/HOOP/120/ANT

## U-Light Hoop Pendant

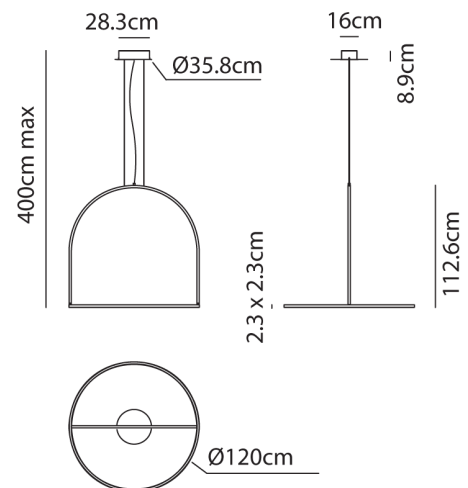
by Timo Ripatti

The U-Light collection by Timo Ripatti is composed of minimalist and lightweight circular aluminum elements which create a strong presence within a space. Contemporary in design and functionality, all models of the U-Light are equipped with cutting-edge dimmable LED technology. The simple geometric aesthetic of the U-Light is perfectly suited to modern interiors as accent lighting in smaller spaces or feature applications in large commercial projects. The U-Light hoop pendant is available in 90cm to 160cm diameter sizes in anthracite grey or rust brown finish. A sound absorbing version is also available upon request.



<b>Designer</b>	Timo Ripatti
<b>Supplier</b>	Axo Light
<b>Country</b>	Italy
<b>SKU</b>	AX S/ULIGHT/HOOP/120/ANT
<b>Size</b>	120
<b>Finish</b>	Anthracite

### Product Dimensions



<b>Weight</b>	8.2kg	<b>Materials</b>	Aluminium	<b>Source</b>	86W LED
<b>Colour Temp</b>	3000K	<b>Output</b>	7354lm	<b>CRI</b>	90
<b>IP Rating</b>	IP20	<b>Dimming</b>	1-10v	<b>Notes</b>	Sound absorbing version available on request