

CT S/FOLD/3/BK/SKYBLUE

Fold Pendant

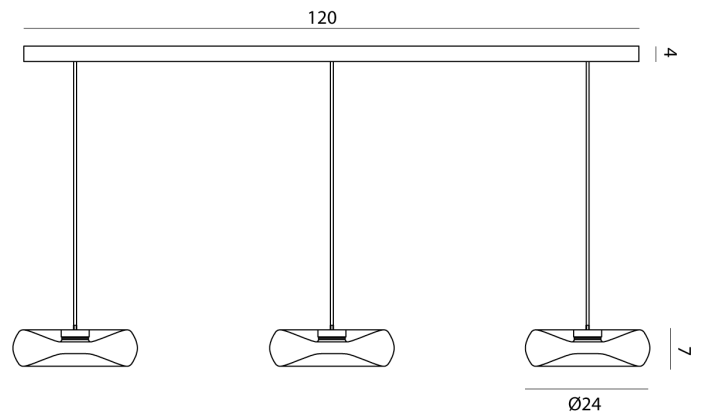
by Cristian Li Voi

Fold by Cangini & Tucci produces a mirage of light through its unique blown-glass design. Inspired by contrasts, Fold pendant creates an illusion of depth with a folded glass form which both conceals the in-built LED source and emits reflections between the top and bottom of the diffuser interior, producing a delicate glow within a space. Available in various sizes and a wide range of finish options with black or chrome metalware.



Designer	Cristian Li Voi
Supplier	Cangini & Tucci
Country	Italy
SKU	CT S/FOLD/3/BK/SKYBLUE
Glass Finish	Sky Blue
Metal Finish	Black
Size	3 Light

Product Dimensions



Weight	4.59kg
Colour Temp	3000K
IP Rating	IP20

Materials	Blown Glass
Output	2370lm
Dimming	TRIAC

Source	17.4W LED
CRI	95