

RO LT/LUXYGLAM/T0/BLACK/GOLD

Luxy Glam Table Lamp

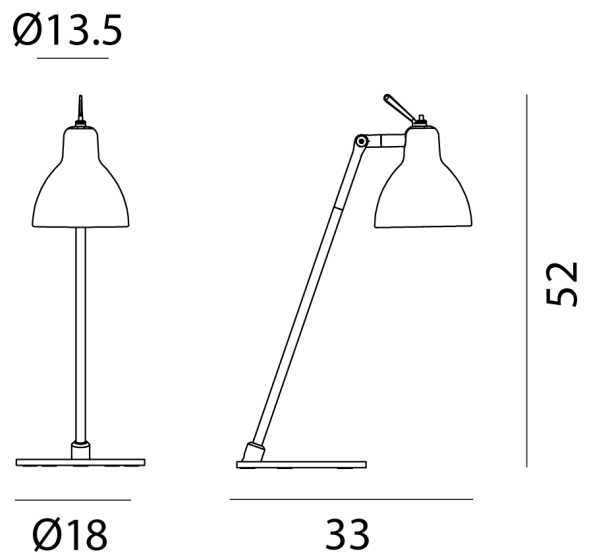
by Dante Donegani and Giovanni Lauda

A continuation of the Luxy range from Rotaliana, the Luxy Glam Table Lamp offers a classic inspired form in a contemporary finish. The use of a gloss finished diffuser gives both direct and diffused light. Available in metallic black frame with gloss white, smoke, copper or gold shade. Made in Italy.



Designer	Dante Donegani and Giovanni Lauda
Supplier	Rotaliana
Country	Italy
SKU	RO LT/LUXYGLAM/T0/BLACK/GOLD
Finish	Gold

Product Dimensions



Weight	3.2kg
IP Rating	IP20

Materials	Steel glass
------------------	-------------

Source	1 x E14 10W (Max)
---------------	-------------------