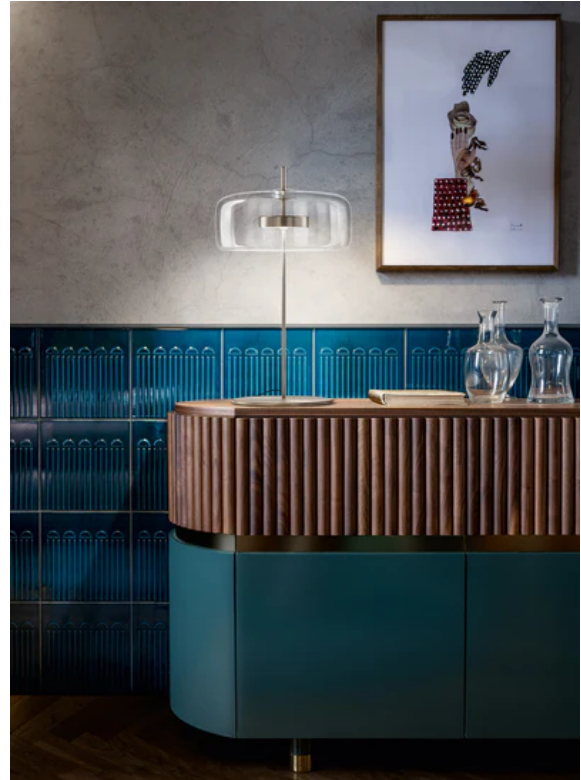


VI LT/JUBE/G/GOLD/GREEN

## Jube Table Lamp

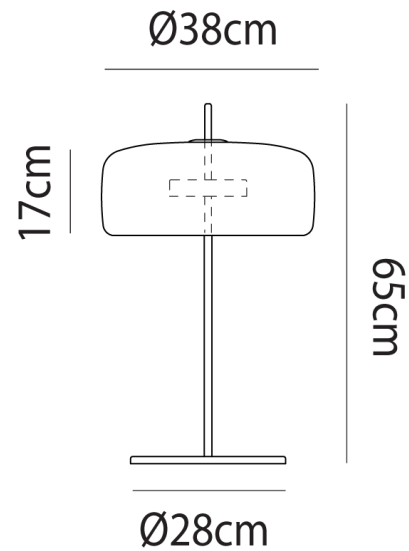
by Favaretto&Partners

Essential, sinuous and delicate, Jube was born from the union of two mouth blown glasses that, once assembled together, create an overlapping, ton sur ton effect with retro charm. Thanks to a powerful waterjet which perforates glass with holes of a very large diameter, the fusion of the glasses is perfectly integrated, allowing two glasses look like a single piece. The LED light source produces a widespread and powerful light. Table lamp available in large, small or mini size with various shade and base finish combinations.



<b>Designer</b>	Favaretto&Partners
<b>Supplier</b>	Vistosi
<b>Country</b>	Italy
<b>SKU</b>	VI LT/JUBE/G/GOLD/GREEN
<b>Glass Finish</b>	Green
<b>Metal Finish</b>	Gold
<b>Size</b>	G

### Product Dimensions



<b>Weight</b>	6kg
<b>Colour Temp</b>	3000K
<b>IP Rating</b>	IP20

<b>Materials</b>	Blown Glass
<b>Output</b>	2000lm
<b>Dimming</b>	Dimmer on cable

<b>Source</b>	1 x 13W LED
<b>CRI</b>	>80