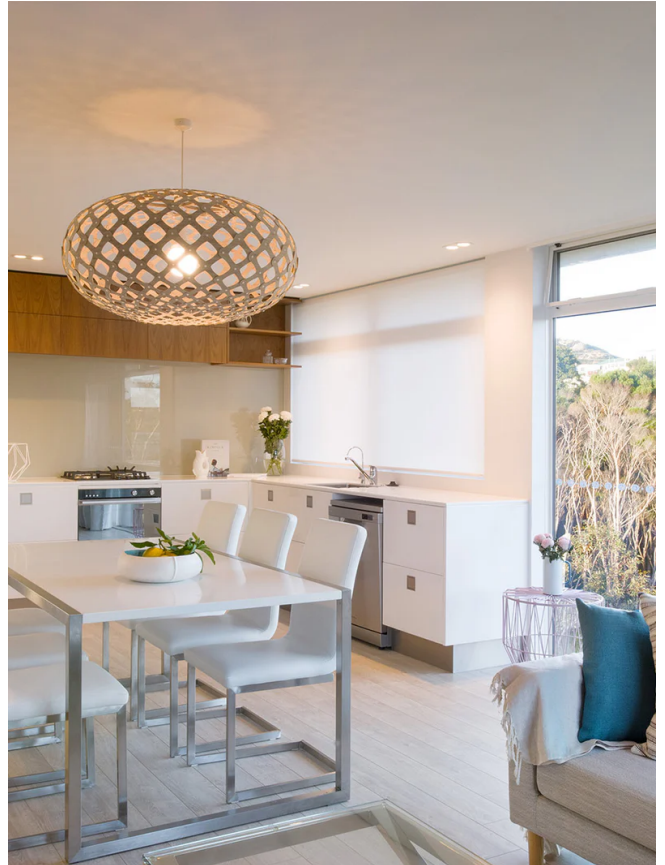


DT KINA 1000/WHITE

Kina Pendant

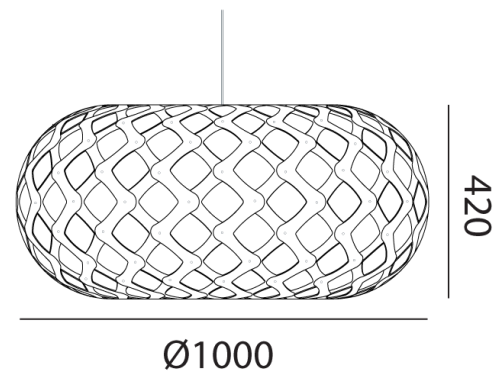
by David Trubridge

Kina is the Maori name for the local sea-urchin. Under the spines the shell is shaped like this with similar surface patterns. David Trubridge was inspired after seeing a tiny one in Antarctica, sunk in the sea ice in a hollow that was made when the shell absorbed the warmth from the sun and melted the ice around it - an exquisite jewel. The Kina comes in kitset to reduce the impact of freight on the environment.



Designer	David Trubridge
Supplier	David Trubridge
Country	New Zealand
SKU	DT KINA 1000/WHITE
Finish	White
Size	1000

Product Dimensions



Weight	3.8kg	Materials	Bamboo Plywood, Nylon Clips	Source	1 x E27 60W (Max)
Dimming	Dependent on globe	Notes	Flat packed for reduced environmental footprint. Assembly required.		