

VI S/PLOTFRAME/4/WHITE/BLACK

Plot Frame Pendant

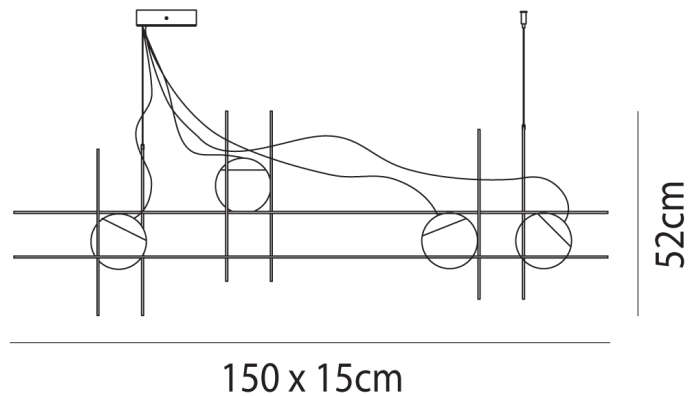
by Chiaramonte & Marin

The designing principal of Plot Frame Pendant was to render a sphere of light in suspended motion. Almost hovering luminescent spheres are supported on a metallic weft, creating an exquisite and unique form. The metal cap of the lamp body acts as a heat sink for the in-built LED source and is fixed to the glass by means of a pressure system achieved by the perfect adhesion between the edge of the glass and the cap itself. Available in 3 or 4 light size with matt black metal finish and white blown glass diffusers. Hand made in Italy by Vistosi.



Designer	Chiaramonte & Marin
Supplier	Vistosi
Country	Italy
SKU	VI S/PLOTFRAME/4/WHITE/BLACK
Size	4 Light

Product Dimensions



Weight	15kg	Materials	Blown glass diffusers, metal frame	Source	4 x 8.5W LED
Colour Temp	3000K	Output	4800lm	IP Rating	IP20
Dimming	1-10v				