

Nodo Pendant

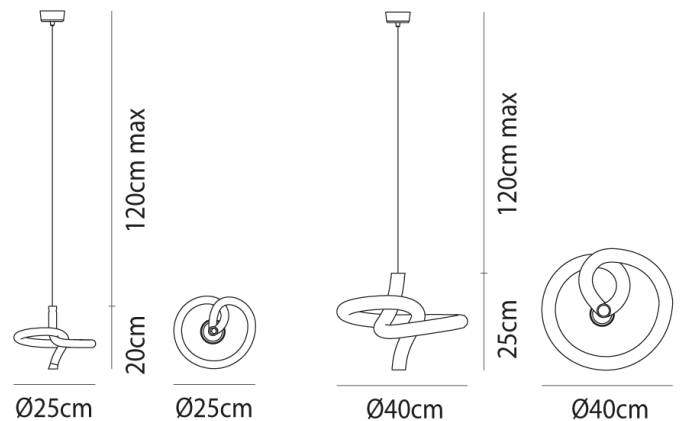
by Pio and Tito Toso

The Nodo Pendant Light is an expression of dynamic design as it seeks to capture motion. The glass is blown using a freehand technique, giving each piece a sense of continuity and fluidity. The design of the Nodo allows for ambient light as well as directional downward light. Available in small or large size in white finish.



Designer	Pio and Tito Toso
Supplier	Vistosi
Country	Italy
SKU	VI S/NODO/P/WH
Size	Small

Product Dimensions



Weight	2kg
IP Rating	IP20

Materials	Blown Glass
Dimming	Dependent on globe

Source	1 x G9 48W (Max)
---------------	------------------