

DT FLAX 1500/LIME

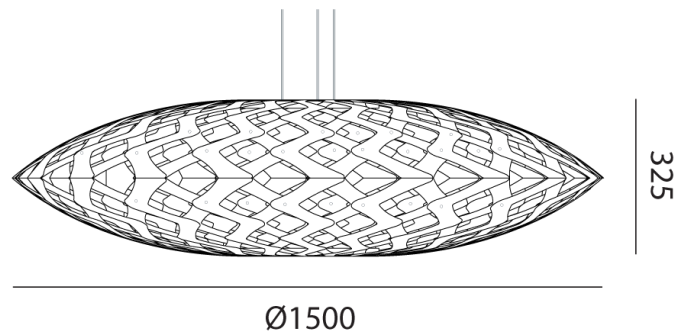
Flax Pendant

by David Trubridge

The Flax Pendant is based on the long slender leaves of the indigenous New Zealand flax plant or harakeke in Maori that has long been grown for its valuable fibre. The Flax Pendant is made of Plywood and can come in a bamboo finish or stained in a variety of colours. The Flax comes in kitset to reduce the impact of freight on the environment.



Product Dimensions



Designer	David Trubridge
Supplier	David Trubridge
Country	New Zealand
SKU	DT FLAX 1500/LIME
Finish	Lime
Size	1500

Weight	9.5kg	Materials	Bamboo Plywood, Nylon Clips	Source	1 x E27 60W (Max)
Dimming	Dependent on globe	Notes	Flat packed to reduce environmental footprint		