

VI LT/MUNEGA/G

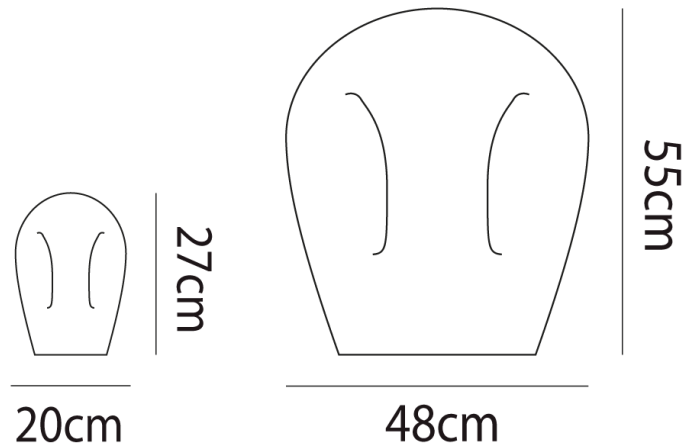
## Munega Lamp

by Luciano Vistosi

The Munega collection of lamps are a sculptural mouth-blown Murano glass light designed by Luciano Vistosi in 1978. Visually stunning, Munega is created with a technique called "freehand" where the glass is continually worked by two craftsmen in order to perfect each piece.

**Designer** Luciano Vistosi**Supplier** Vistosi**Country** Italy**SKU** VI LT/MUNEGA/G**Size** Large

### Product Dimensions

**Weight** 5kg**Materials** Blown Glass**Source** 1 x E27 77W (Max)**IP Rating** IP20