

VI LT/MUNEGA/P

Munega Lamp

by Luciano Vistosi

The Munega collection of lamps are a sculptural mouth-blown Murano glass light designed by Luciano Vistosi in 1978. Visually stunning, Munega is created with a technique called "freehand" where the glass is continually worked by two craftsmen in order to perfect each piece.



Designer Luciano Vistosi

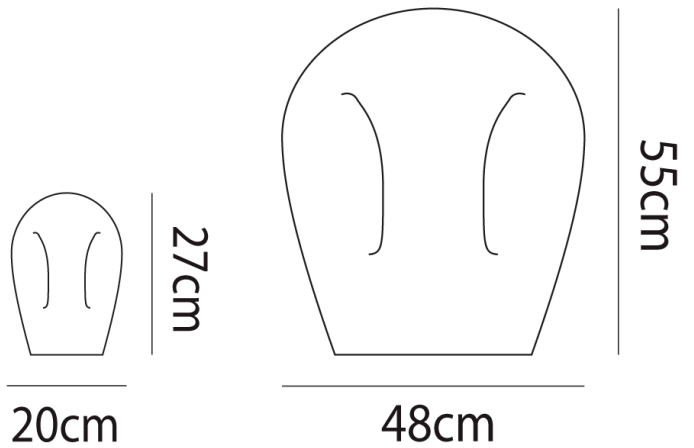
Supplier Vistosi

Country Italy

SKU VI LT/MUNEGA/P

Size Small

Product Dimensions



Weight 3kg

Materials Blown Glass

Source 1 x E14 60W (Max)

IP Rating IP20