

NE S/KEPLER/PETIT/DOWN/3000K/BK

## Kepler Petit Pendant

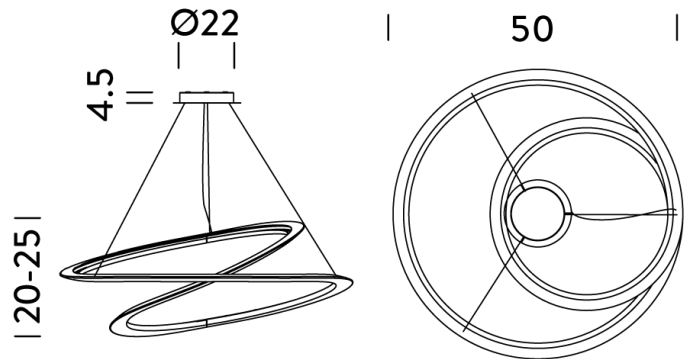
by Arihiro Miyake

A petit version of the Kepler pendant from NEMO. An LED suspension lamp in powder coated extruded aluminum. The endless line is created by a 3-dimensional deformation process inspired by the Moebius strip. Available in matt white, black or painted gold finish. Kepler Petit is only available in a downlight version.



<b>Designer</b>	Arihiro Miyake
<b>Supplier</b>	Nemo
<b>Country</b>	Italy
<b>SKU</b>	NE S/KEPLER/PETIT/DOWN/3000K/BK
<b>Finish</b>	Black
<b>Version</b>	Downlight - 3000K

Product Dimensions



<b>Weight</b>	1.3kg
<b>Colour Temp</b>	3000K
<b>Emission</b>	Diffused downlight

<b>Materials</b>	Aluminium
<b>Output</b>	2100lm
<b>Dimming</b>	1-10v

<b>Source</b>	50W LED
<b>CRI</b>	85