

AX S/KWIC/48/BLACK

Kwic Pendant

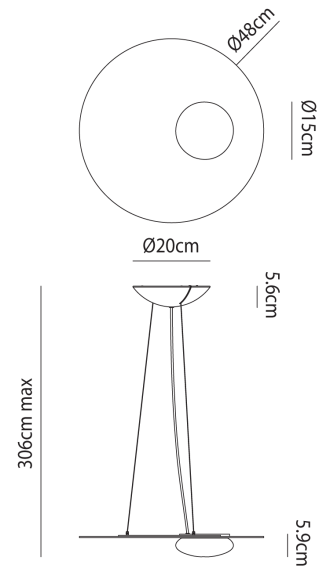
by Serge & Robert Cornelissen

Kwic, designed by Serge and Robert Cornelissen, is a pendant light with a minimalist contemporary design. A semi-spherical blown glass diffuser contains an integrated LED light source and overlaps - in a decentralized position - with a circular painted aluminium disk. Kwic imbues a space with a powerful light which radiates from the opaline white diffuser, and a delicate glow that filters through the back of the frame. Depending on the location, Kwic can be a discreet presence or a point of focus in a room. Available in a variety of sizes and finishes.



Designer	Serge & Robert Cornelissen
Supplier	Axo Light
Country	Italy
SKU	AX S/KWIC/48/BLACK
Finish	Black
Size	48

Product Dimensions



Weight	4kg
Colour Temp	3000K
IP Rating	IP20

Materials	Aluminium
Output	2151lm
Dimming	1-10v

Source	18W LED
CRI	90