

SE S/MUMU/120/BK

Mumu Pendant

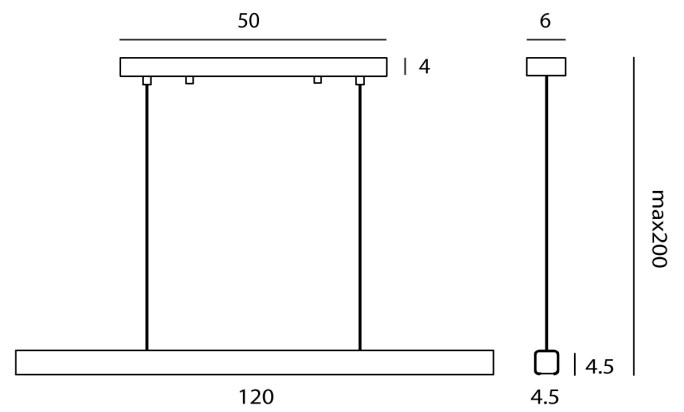
by Keng Dian Kuo

The MUMU Pendant combines a linear metal body with natural wooden accents for clean contemporary aesthetic. MUMU minimal aesthetic is well suited for modern spaces. Available in two sizes and two finishes: matt white with beech end-caps or matt black with walnut end-caps.



Designer	Keng Dian Kuo
Supplier	Seed Design
Country	Taiwan
SKU	SE S/MUMU/120/BK
Finish	Black
Size	120

Product Dimensions



Materials	Aluminium	Source	32W LED	Colour Temp	3000K
Output	1920lm	CRI	90	Dimming	PHASE