

AX S/AURA/60/CR

Aura Pendant

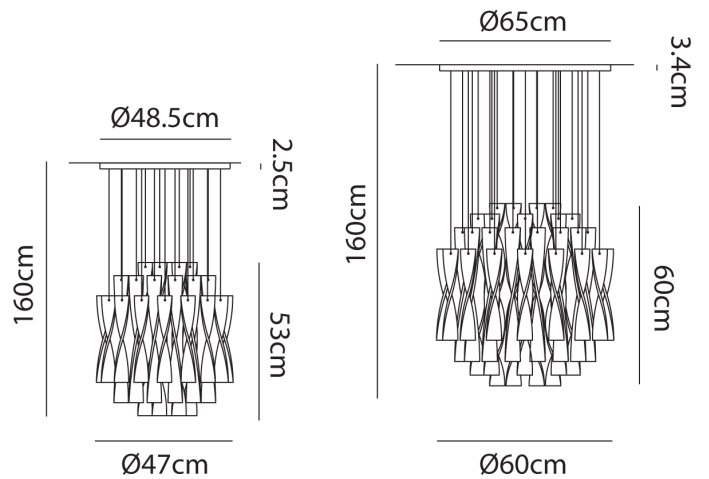
by Manuel & Vanessa Vivian

Aura by Manuel Vivian features waves of light and dynamic reflections. The expertise and craftsmanship of a master glassmaker is expressed in the shape of the small glass ribbons that together compose a fluid and aquatic form with a diffused glow. Aura single pendant is available in two sizes with white, red, tea or crystal glass with a polished chrome mounting plate.



Designer	Manuel & Vanessa Vivian
Supplier	Axo Light
Country	Italy
SKU	AX S/AURA/60/CR
Finish	Crystal
Size	60

Product Dimensions



Weight	28kg
IP Rating	IP20

Materials	Glass
Dimming	Dependent on globe

Source	1 x E-27 100W (Max)
---------------	---------------------