

RO A/STRING/W1/9W/SILVER

String W1 Wall Lamp

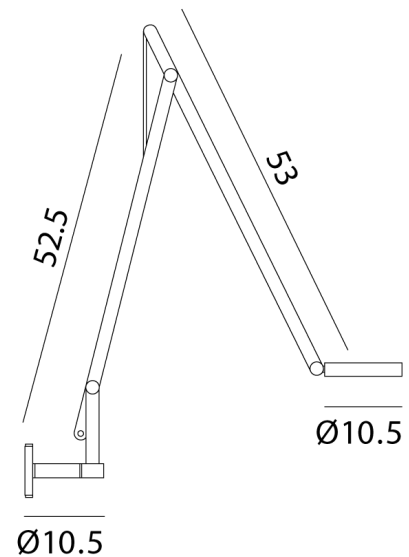
by Dante Donegani and Giovanni Lauda

The String W1 Wall light is part of the String collection by Rotaliana. The adjustable head made with moulded plastic is easily handled and offers flexibility in positioning the direction of the light beam. The structure of the two arms is made of extruded aluminum. The movement is balanced by the elastic cable, sheathed in synthetic coloured fabric. The String also features a push sensitive dimmer that controls the light source. String W1 is available in white, black, bronze, champagne, graphite or silver finish. Each light includes silver, black and orange cables which are easily interchangeable for different looks.



Designer	Dante Donegani and Giovanni Lauda
Supplier	Rotaliana
Country	Italy
SKU	RO A/STRING/W1/9W/SILVER
Finish	Silver

Product Dimensions



Weight	1.82kg	Materials	Aluminium	Source	9W LED
Colour Temp	2700K	Output	700lm	CRI	90
IP Rating	IP20	Dimming	Push button dimmer	Notes	Fitting includes flex cord and wall plug